



C3-type 75 kVDC rated High Voltage Cable

Highly flexible, small diameter, extra low capacitance 3-conductor, 75kVDC rated rubber insulated high voltage cable.

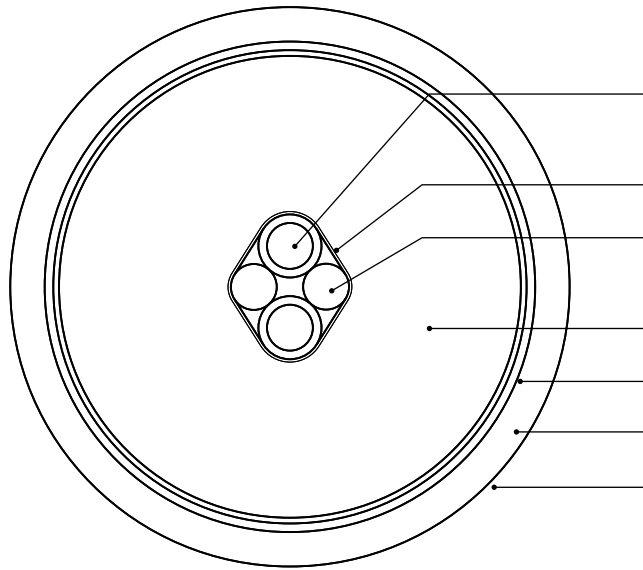
Features

- Low capacitance.
- High flexibility.
- Small diameter.
- 95% shielding braid coverage.

Description

This 3-conductor, rubber insulated high voltage cable's typical applications are:

- Medical X-ray equipment like standard X-ray, computer tomography and angiography equipment.
- Industrial and scientific X-ray or electron beam equipment like electron microscopy and X-ray diffraction equipment.
- Low power high voltage test- and measuring equipment.



Construction

Red and white Tefzel insulated conductors, 1.5mm² (19xØ0.32mm), stranded tinned copper wires.

Semi-conducting tape.

Bare conductor, 1.5mm² (2x30xØ0.18mm), stranded tinned copper wires.

High voltage Insulation, EP rubber, black.

Semi-conducting tape.

Shielding braid, 95% coverage, tinned copper wires.

PVC jacket, color: light gray or white.

Technical data

Number of conductors	3
Rated voltage	75kVDC
Routine test voltage (high voltage insulation)	120kVDC / 10 min
Routine test voltage (conductor insulation)	2kVACrms / 1 min
Maximum conductor current	1.5 mm ² : 15 A; 0.75 mm ² : 11 A
Corona level at 75kVDC	≤10 pC
Nominal outside diameter	19.2 mm / 0.756 in / ±0.5 mm / ±0.020 in
Thickness of PVC jacket	1.2 mm / 0.047 in
Thickness of high voltage insulation	5.5 mm / 0.217 in
Diameter of core-assembly	4.4 mm / 0.173 in
Insulation resistance core-shield @20°C	≥1x10 ¹² Ω·m / ≥3x10 ¹² Ω·ft
Conductor insulation resistance @20°C	≥1x10 ¹² Ω·m / ≥3x10 ¹² Ω·ft
Conductor resistance bare cond. @20°C	11.4 mΩ/m / 3.7 mΩ/ft / ±5%
Conductor resistance insul. cond. @20°C	11.4 mΩ/m / 3.7 mΩ/ft / ±5%
Shield resistance @20°C	12.8 mΩ/m / 4.2 mΩ/ft / ±5%
Capacitance between cond. and shield	122 pF/m / 40 pF/ft / ±10%
Capacitance between Ins. cond. and bare cond.	344 pF/m / 113 pF/ft
Capacitance between Insulated conductors	239 pF/m / 78pF/ft
Cable min.bending radius (static installation)	39 mm / 1.5 in
Cable min.bending radius (dynamic install.)	78 mm / 3.1 in
Operating temperature	-10/+70 °C / +14/+158 °F
Storage temperature	-40/+70 °C / -40/+158 °F
Net weight	440 kg/km