

CA11-type (Mini75) Connector for up to 75 kVDC

The Claymount 75kVDC rated Mini75 high voltage cable plug is an alternative for the present Federal Standard 75kVDC rated plugs (as defined by NEMA XR-7 and IEC 60526), with half its size.

Features

- 100 °C rated plug (and receptacle), only half the size of a Federal Standard plug.
- Pre-mounted and replaceable maintenance-free silicone rubber jacket and washer & oil set for greaseless installation.
- Impact-protected gold-plated spring contact pins.
- Front key for 'blind' installation.
- Slip-on-and-off ring nut for easily passing through small cable hoses.
- Molded-on soft sleeve.
- Straight or 90° angled terminations.*

- A wide choice of small diameter, highly flexible cable types with 95 % shielding coverage, rated up to 75 kVDC.

Description

The 100 °C rated plug is made of high insulation thermoplastic material and is filled with an insulation compound. The gold-plated spring contact pins are countersunk and this protects against accidental damage. Positioning of the contact pins during installation is very easy with the front keyway system. In 3-conductor use, the C and G pins are connected. The wires of the receptacle must then be connected likewise. The very small outer diameter of the plug allows an easy feed-through in C-arms and cable hoses. The ring nut can be slipped over the plug afterwards. For long-lasting flexibility, the soft PVC sleeve is directly molded onto the plug.

* Please see separate flyer for information on 90° angled connectors.

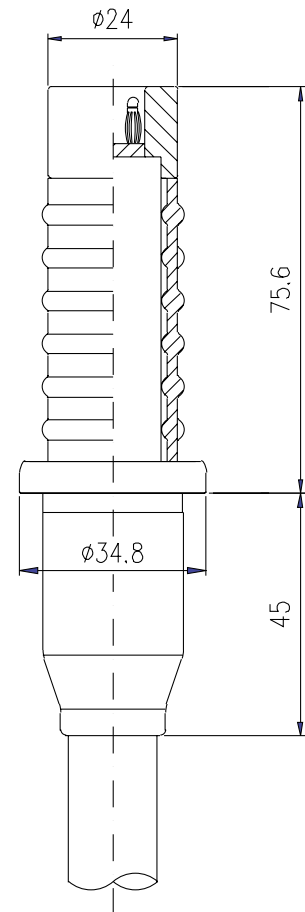
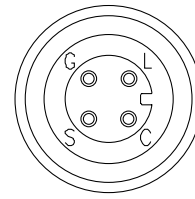
Installation

Greaseless installation with the advanced interface seal, i.e. silicone rubber jacket and washer. The silicone oil provided, only functions as a lubricant and a swelling agent for both silicone rubber jacket and washer. Dry installation without the lubrication of silicone oil will be sufficient for the connection system to function, but is not recommended. Silicone rubber jacket and washer are replaceable when necessary during system preventive maintenance or due to accidental damage during installation.

Cable types

The following cable types can be terminated with CA11-type connectors

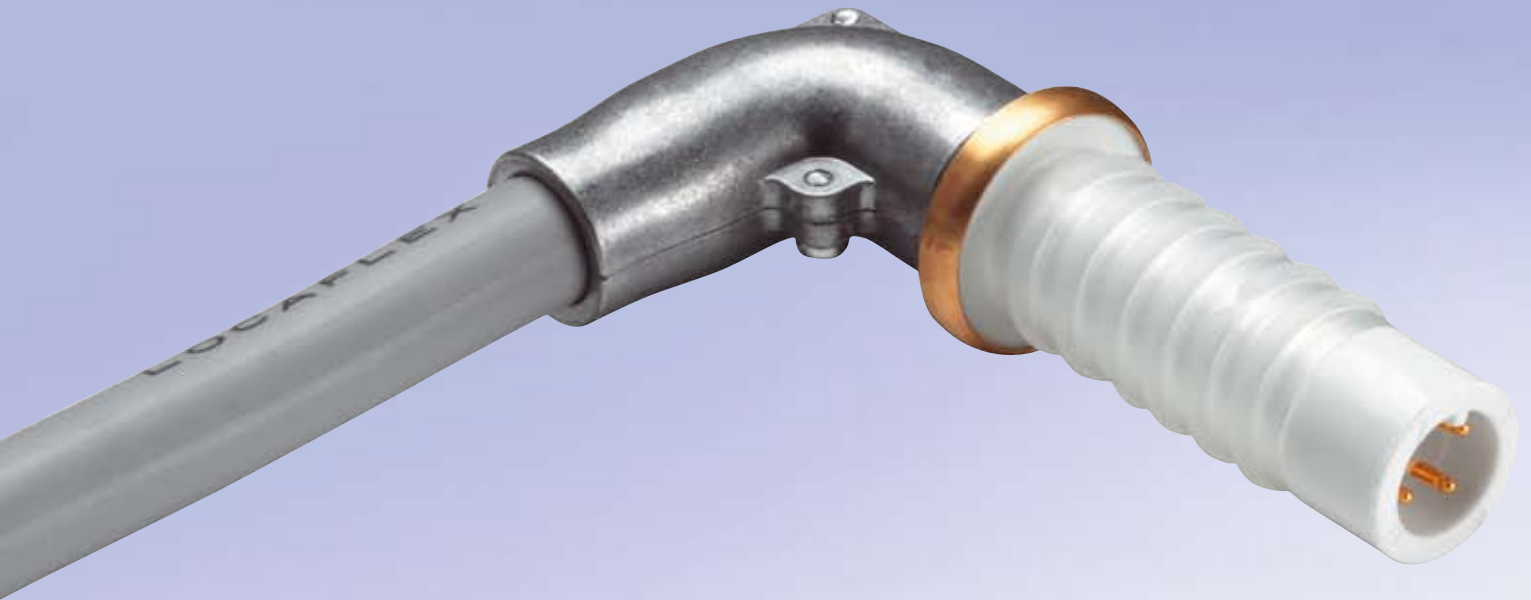
L3 (Locaflex 3 conductors, 75 kVDC)
T3 (3 conductors, 75 kVDC)
T4 (4 conductors, 75 kVDC)
S4 (4 conductors, 75 kVDC)
M1 (1 conductor, 60 kVDC)



Technical data

Maximum continuous voltage between contact pins and grounding flange	75 kVDC *
Number of contacts pins	4
Maximum continuous voltage between pins	4 kVDC *
Maximum continuous current (each pin)	15 A *
Maximum continuous plug operating temperature	100 °C / 212 °F

* Depending on the cable type used.



CA11-type (Mini75) 90° angled Connector for up to 75 kVDC

The Claymount 75kVDC rated Mini75 high voltage cable plug is an alternative for the present Federal Standard 75kVDC rated plugs (as defined by NEMA XR-7 and IEC 60526), with half its size.

Features

- 100 °C rated plug (and receptacle), only half the size of a Federal Standard plug.
- Pre-mounted and replaceable maintenance-free silicone rubber jacket and washer & oil set for greaseless installation.
- Impact-protected gold-plated spring contact pins.
- Front key for 'blind' installation.
- Slip-on-and-off ring nut.
- Straight or 90° angled terminations.*
- A wide choice of small diameter, highly flexible cable types with 95 % shielding coverage, rated up to 75 kVDC.

Description

The 100 °C rated plug is made of high insulation thermoplastic material and is filled with an insulation compound. The gold-plated spring contact pins are countersunk and this protects against accidental damage. Positioning of the contact pins during installation is very easy with the front keyway system. In 3-conductor use, the C and G pins are connected. The wires of the receptacle must then be connected likewise. The ring nut can be slipped over the plug afterwards.

* Please see separate flyer for information on straight connectors.

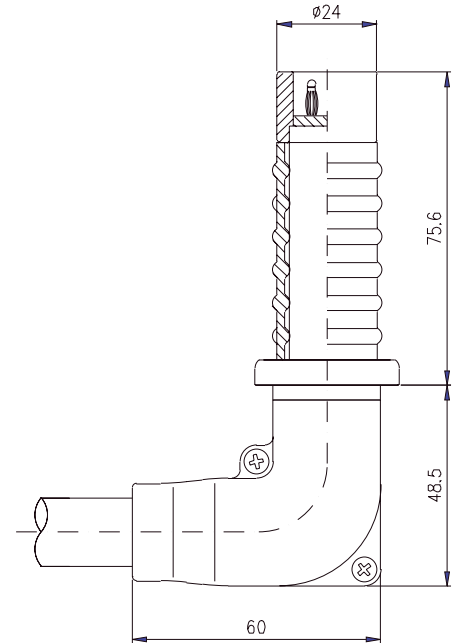
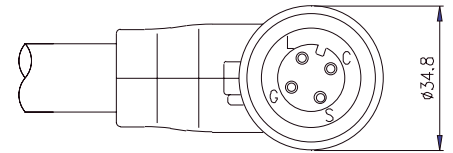
Installation

Greaseless installation with the advanced interface seal, i.e. silicone rubber jacket and washer. The silicone oil provided, only functions as a lubricant and a swelling agent for both silicone rubber jacket and washer. Dry installation without the lubrication of silicone oil will be sufficient for the connection system to function, but is not recommended. Silicone rubber jacket and washer are replaceable when necessary during system preventive maintenance or due to accidental damage during installation.

Cable types

The following cable types can be terminated with CA11-type 90° angled connectors

L3 (Locaflex 3 conductors, 75 kVDC)
T3 (3 conductors, 75 kVDC)
T4 (4 conductors, 75 kVDC)



Technical data

Maximum continuous voltage between contact pins and grounding flange	75 kVDC
Number of contacts pins	4
Maximum continuous voltage between pins	4 kVDC *
Maximum continuous current (each pin)	15 A *
Maximum continuous plug operating temperature	100 °C / 212 °F

* Depending on the cable type used.