

CA20-type (Bi-type) Connector for up to 60 kVDC

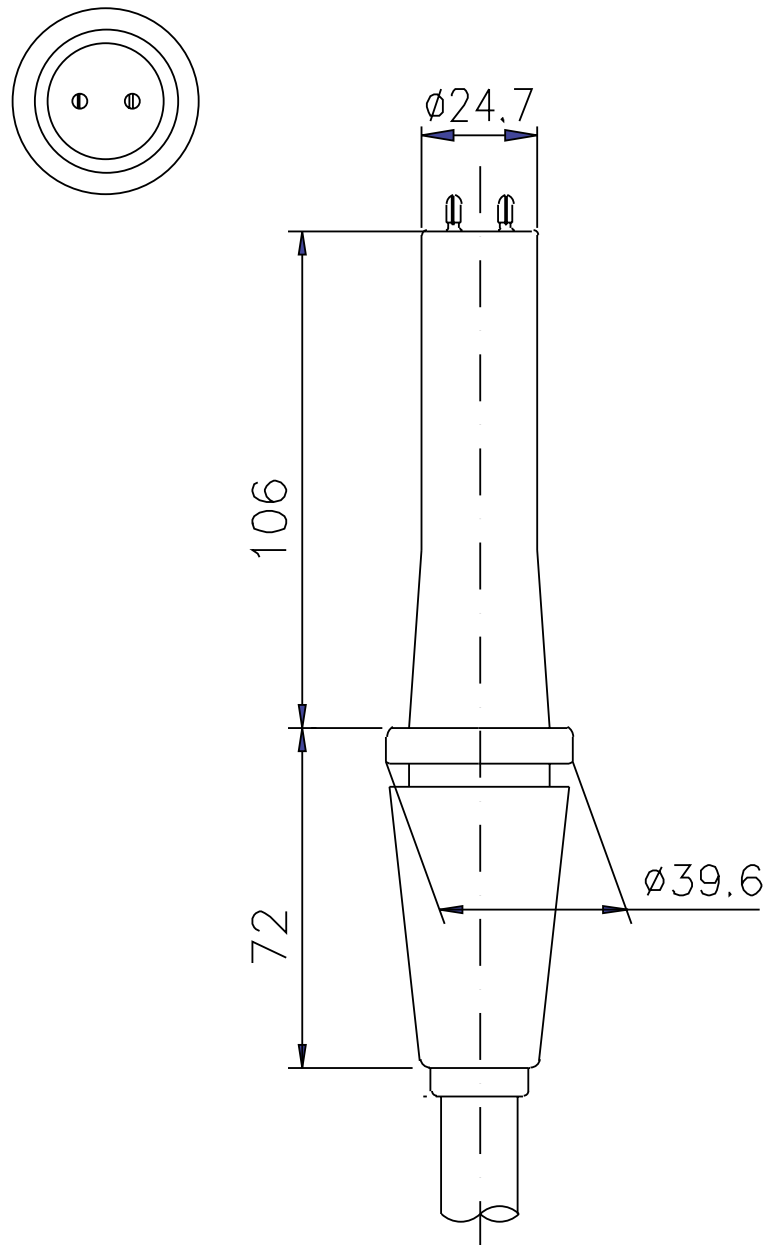
Claymount CA20-type cable assemblies are Locaflex®-type high voltage cables terminated with 2-pin plugs, type tested under the severest life (aging) conditions. The plug is made from a UL 94 5VA approved high installation thermoplastic material and is filled with insulation compound.

Features

- Small diameter, highly flexible cable with 95% shielding coverage.
- High temperature 100 °C rated plugs.
- Maintenance-free plug if silicone washer version is used
- Small diameter flange – cable assemblies are slipped in easily
- ring nut and bolted type divided flange for positive grounding to be mounted later

Description

The metal parts (directly moulded contact pins and grounding flange) are made from brass for a good conduction. The small outer diameter of the plug allows an easy feed-through in C-arms and cable hoses. For long-lasting flexibility the soft PVC-sleeve is directly moulded to the plug. When installing the plug into the receptacle, use silicone grease to exclude the air between the plug and receptacle.



Cable types

The following cable types can be terminated with CA20-type connectors

L3 (Locaflex 3 conductors, 75 kVDC)

Technical data

Number of contact pins	2
Rated voltage	60 kVDC
Maximum continuous operating temperature	100 °C / 212 °F
Outer diameter	40 mm / 1.575 in