



CA15-type Connector for up to 65 kVDC

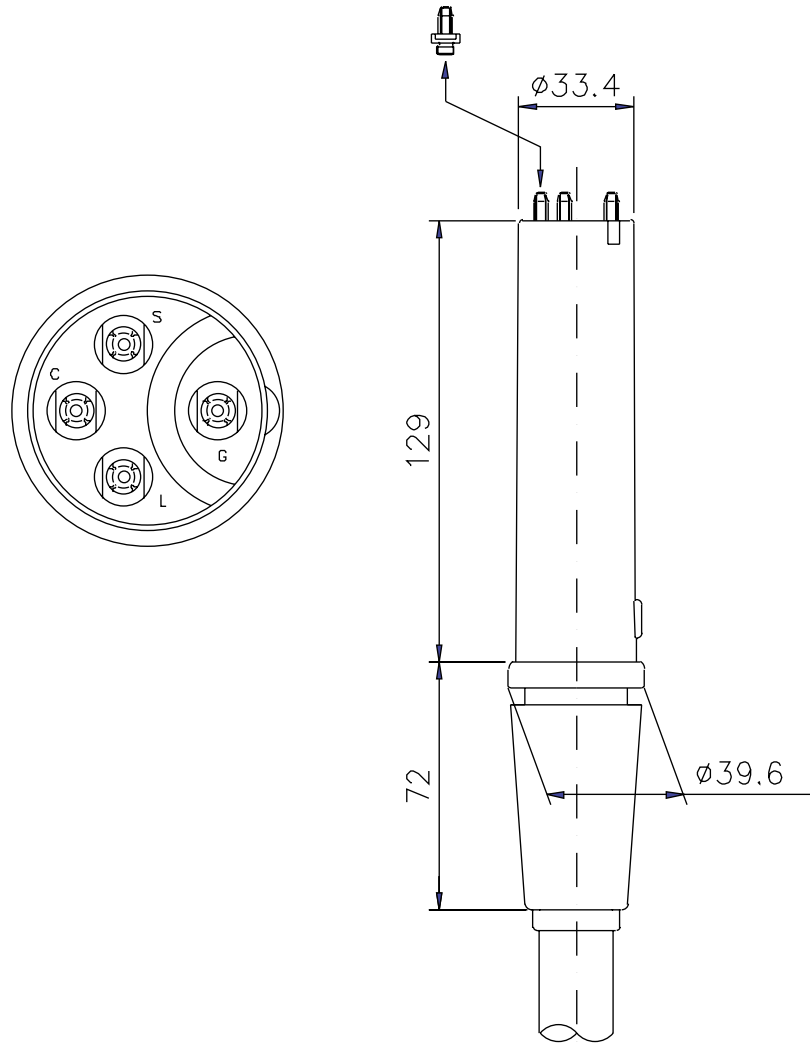
The CA15-type connector is a 65 kVDC rated, 4 pin connector with extended contact flashover distance.

Features

- High voltage withstand between pins.
- Small diameter connector.
- Highly flexible cable.

Description

The CA15-type connector's main applications lie in the field of electron/ion beam equipment that require relatively high voltages between the pins. Flashover extension between pins is realized by means of a groove in the CA15 connector and a wall in the matching CA15 receptacle. The connector needs to be installed in its receptacle with the use of silicone grease.



Cable types

The following cable types can be terminated with CA15-type connectors

L4 (4-conductors, 75 kVDC)

Technical data

Maximum continuous voltage between contacts and grounding flange	65 kVDC
Maximum continuous voltage between pins	1 kVDC between L and S contacts 4 kVDC between L/S and C contacts 18 kVDC between L/S and G contacts 21 kVDC between C and G contacts
Number of contacts	4