



CA3-type (Mammography) Receptacle for up to 60 kVDC

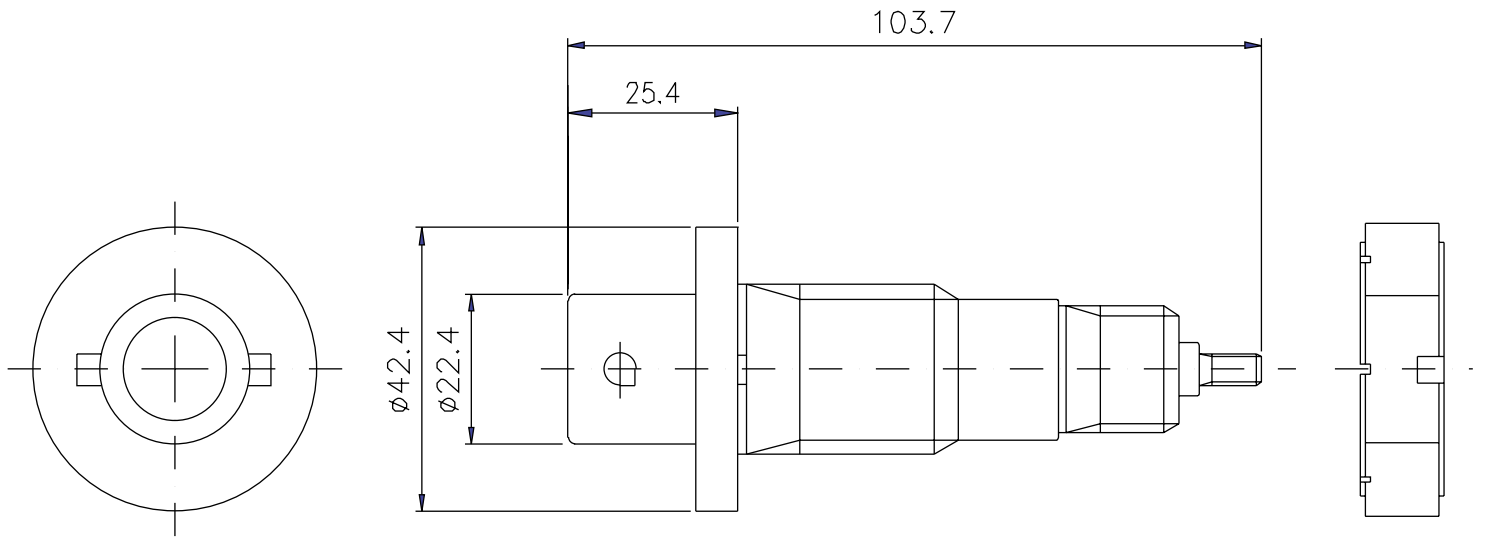
Receptacle for mammography plugs, complying to NEMA XR-7 standard for X-ray cable plugs and receptacles.

Features

- 60 kVDC, 130 °C rated receptacle.
- Thermoplastic material with high flame retardancy and high insulation resistivity.
- Contact insert with O-rings directly molded into the insulation material for excellent oil sealing.
- O-ring for oil sealing.
- Plastic nut for mounting the receptacle.

Description

The receptacle is made of UL 94-V0 and UL 94-5VA rated high insulating thermoplastic material with excellent resistance to dielectric oils and chemicals. The directly molded brass contact insert is sealed with O-rings for excellent oil sealing. Standard packaging consists of one receptacle with nuts mounted on its screw terminal, and an O-ring and plastic nut for mounting the receptacle in its housing.



Technical data

Maximum continuous voltage between contact insert and ground	60 kVDC
Number of contact inserts	1
Maximum continuous current	25 A
Insulation resistance between contact insert and ground	$\geq 10^{15} \Omega$
Maximum continuous operating temperature	130 °C / 266 °F