



## T3-type (Superflex) 75 kVDC rated High Voltage Cable

Highly flexible, small diameter, low capacitance, 3-conductor, 75kVDC rated rubber insulated high voltage cable.

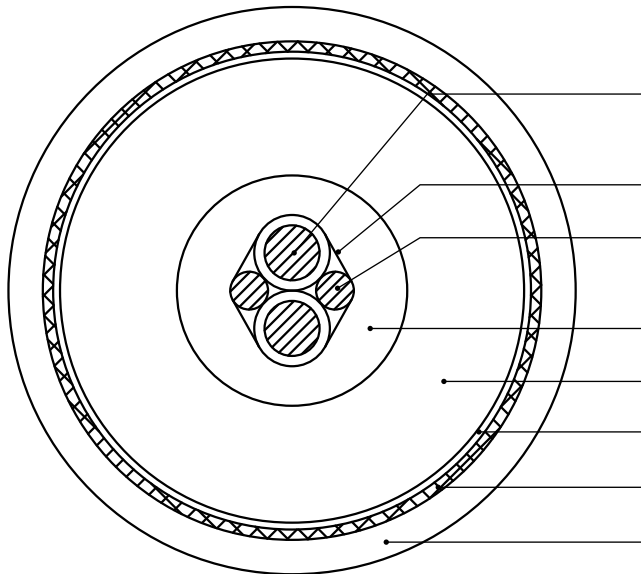
### Features

- Low capacitance.
- High flexibility.
- Small diameter.
- 95% shielding braid coverage.

### Description

This 3-conductor, rubber insulated high voltage cable's typical applications are:

- Medical X-ray equipment like standard X-ray, computer tomography and angiography equipment.
- Industrial and scientific X-ray or electron beam equipment like electron microscopy and X-ray diffraction equipment.
- Low power high voltage test- and measuring equipment.



### Construction

Red and white Tefzel insulated conductors, 1.5mm<sup>2</sup> (19xØ0.32mm), stranded tinned copper wires.

Semi-conducting tape.

Bare conductor, 1.5mm<sup>2</sup> (2x30xØ0.18mm), stranded tinned copper wires.

Semi-conducting EP rubber.

High voltage insulation, EP rubber, black.

Semi-conducting tape.

Shielding braid, 95% coverage, tinned copper wires.

PVC jacket, color: light gray.

### Technical data

Number of conductors	3
Rated voltage	75kVDC
Routine test voltage (high voltage insulation)	120kVDC / 10 min
Routine test voltage (conductor insulation)	2kVACrms / 5 min
Maximum conductor current	1.5 mm <sup>2</sup> : 15 A; 0.75 mm <sup>2</sup> : 11 A
Corona level at 75kVDC	≤10 pC
Nominal outside diameter	16.2 mm / 0.638 in / ±0.5 mm / ±0.020 in
Thickness of PVC jacket	1.0 mm / 0.039 in
Thickness of high voltage insulation	3.4 mm / 0.134 in
Diameter of core-assembly	4.4 mm / 0.173 in
Insulation resistance core to shield @20°C	≥8x10 <sup>12</sup> Ω·m / ≥24x10 <sup>12</sup> Ω·ft
Conductor insulation resistance @20°C	≥5x10 <sup>13</sup> Ω·m / ≥15x10 <sup>13</sup> Ω·ft
Conductor resistance bare cond. @20°C	11.4 mΩ/m / 3.7 mΩ/ft / ±5%
Conductor resistance insul. cond. @20°C	11.4 mΩ/m / 3.7 mΩ/ft / ±5%
Shield resistance @20°C	10.9 mΩ/m / 3.6 mΩ/ft / 5%
Capacitance between cond. and shield	220 pF/m / 72 pF/ft / ±10%
Capacitance between ins. cond. and bare cond.	344 pF/m / 113 pF/ft
Capacitance between insulated conductors	223 pF/m / 68 pF/ft
Cable min. bending radius (static installation)	33 mm / 1.3 in
Cable min. bending radius (dynamic installation)	66 mm / 2.6 in
Operating temperature	-10/+70 °C / +14/+158 °F
Storage temperature	-40/+70 °C / -40/+158 °F
Net weight	330 kg/km